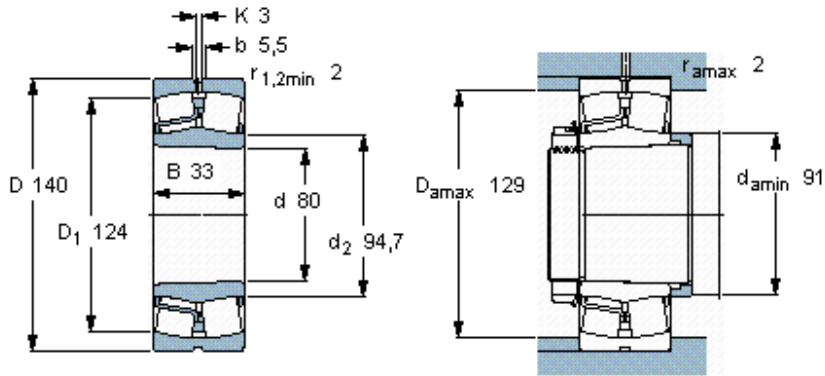


Spherical roller bearings, cylindrical and tapered bore

| Principal dimensions | | | Basic load ratings | | Speed ratings | | Designation |
|----------------------|-----|----|--------------------|--------------|-----------------|----------------|-------------------------------|
| d | D | B | dynamic C | static C0 | Reference speed | Limiting speed | |
| mm | | | kN | | r/min | | * SKF Explorer bearing |
| 80 | 140 | 33 | 243 | 270 | 4300 | 6000 | 22216 EK * |



Tapered bore, taper
1: 12

Calculation factors

- e 0,22
- Y₁ 3
- Y₂ 4,6
- Y₀ 2,8